



## Design aid: bellows, conical shapes

### ► dimensions

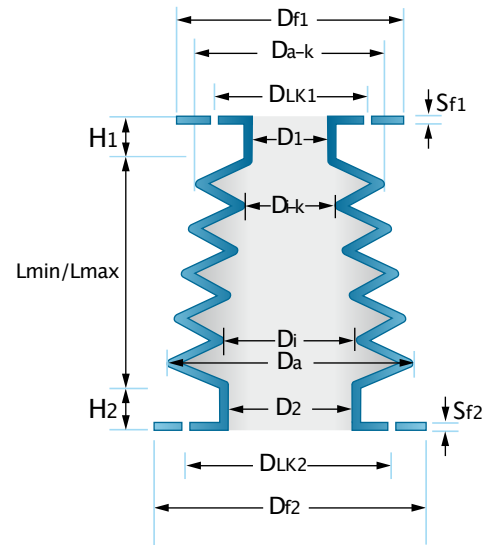
Di		mm
Dik		mm
Da		mm
Dak		mm
Lmin		mm
Lmax		mm
D1		mm
H1		mm
D2		mm
H2		mm

### flange 1 (optional)

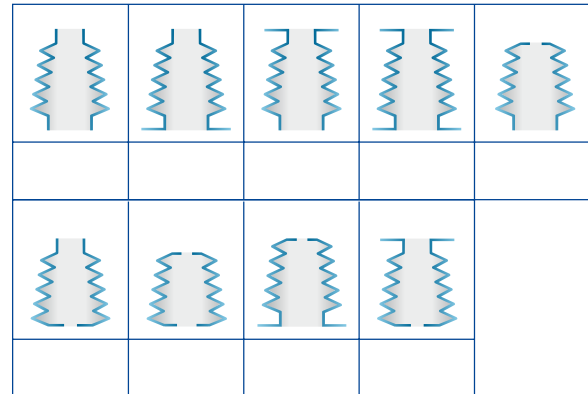
Df1		mm
Sf1		mm
DLK1		mm
amount of drillings		
hole diameter		mm

### flange 2 (optional)

Df2		mm
Sf2		mm
DLK2		mm
amount of drillings		
hole diameter		mm



### shape (please choose)



### ► model

closed	
divisible	zipper
divisible	velcroclosure
divisible	press-studs
divisible	lacing

### ► ventilation

without	
with	ventilationflap
with	wire filter
with	hole

### ► fitting position

horizontal	
diagonal	
vertical	

### ► shaft/piston rod/spindle

shaft	
piston rod	
spindle	
diameter	mm

### ► application environment

outside		temperature from	°C	to	°C
inside		pressure inside		outside	
		humidity		%	

acids		oils/fats	
alkaline solutions		water	
dust/sand		shavings	

company \_\_\_\_\_

first/second name \_\_\_\_\_

street \_\_\_\_\_

code/place \_\_\_\_\_

phone \_\_\_\_\_

fax \_\_\_\_\_

e-mail \_\_\_\_\_

notes \_\_\_\_\_

**TF Feldmann GmbH**

Max-Eyth-Str. 60 • 46149 Oberhausen

Tel. +49 208 305 526-0 • Fax +49 208 305 526-29

info@tf-feldmann.de • www.tf-feldmann.de